

PART NUMBER

TSS-CTP



BEFORE YOU BEGIN

PRIMARY APPLICATIONS

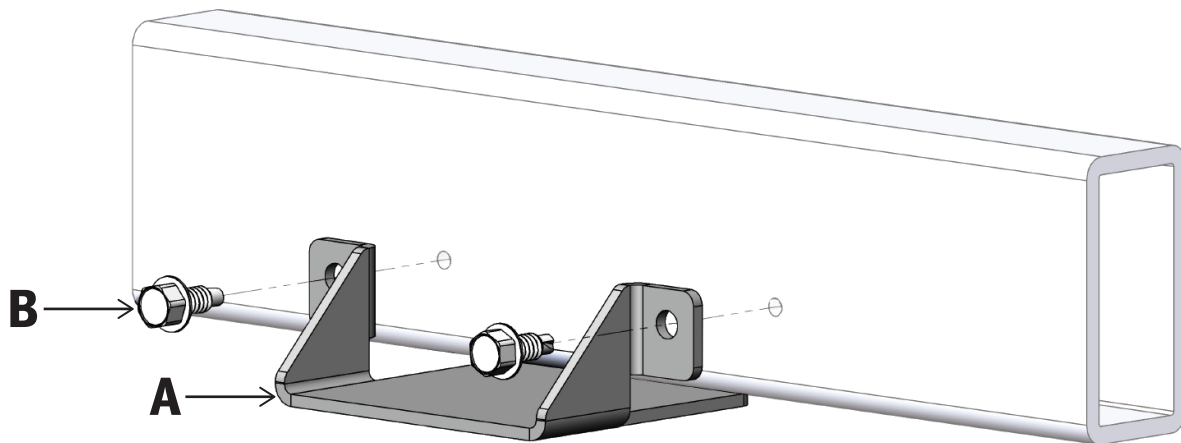
> Travel Trailers with leaf-springs that are not directly aligned or are off-set from the frame requiring a contact plate for Trailer SumoSprings

PARTS LIST

Item	Part #	Description	QTY
A	512171	TSS Contact Plate	2
B	512366	3/8 x 1" Self-Tapping Screws	4

TOOLS REQUIRED

- > Floor Jack
- > Jack Stands
- > Wheel Chocks
- > Drill
- > 1/4" Drill Bit
- > 9/16" Socket



Questions or Concerns?

Scan here:



or visit:
superspringsinternational.com

SAFETY NOTICE: We recommend installation be done by a professional or persons with sound mechanical knowledge.

WARNING: These instructions are a general guide for installation. SuperSprings International (SSI) assumes no liability for the actual installation process. Consumers and installers should apply common automotive safety practices when raising and working on any vehicle. **Do not put yourself in a position where, if the vehicle were to move unexpectedly, you may be injured.** SSI's products are designed to improve vehicle ride quality. Do not load any vehicle beyond the manufacturer's specifications.

Never exceed the manufacturer's Gross Vehicle Rating (GVWR) located on your vehicles identification tag.

BEFORE INSTALLATION: Ensure the vehicle is on a hard level surface, the parking brake is ON, with the ignition OFF, and place chocks in front of and behind the tires to prevent the vehicle from moving.

DURING AND/OR AFTER INSTALLATION: Ensure emergency brake cables are not touching the SSI products. Secure any cables out of the way with zip ties or by re-routing. Ensure all A/C lines, brake cables, and frame are clear of contact or interference.

PART NUMBER

TSS-CTP



INSTALLATION

NOTE: THIS PART SHOULD BE INSTALLED AFTER THE INSTALLATION OF TRAILER SUMOSPRINGS.

1. Park the trailer on a hard, level surface so that the frame is parallel to the ground. Place chocks in front and behind wheels to prevent rolling. Observe all safety precautions and wear safety glasses.
2. Start by using a floor jack to lift the trailer chassis enough to slide the TSS Contact Plate [ITEM A] between the frame and the Trailer SumoSPrings.
3. Center the contact plate over the Trailer SumoSPrings with the tabs tight against the frame. Mark the center of the holes in the tabs and drill with a 1/4" drill bit.
4. Drive the 3/8 x 1" Self-Tapping Screws [ITEM B] into the holes in the frame with a drill or impact driver just enough to cut the threads into the frame.
5. Remove the bolts and add a drop of Blue Thread Locker.
6. Install the bolts with a 9/16" socket and torque to 20 ft. lbs.
7. Lower the trailer off the jack and ensure that the Trailer SumoSPrings are now engaged with the new TSS Contact Plate.
8. Register the warranty for your SuperSprings International part. A warranty card can be found in the box your part came in.

Part Number: TSS-CTP

Product Line: TRAILER SUMOSPRINGS

Page 2

Questions or Concerns?

Scan here:



or visit:
superspringsinternational.com

SAFETY NOTICE: We recommend installation be done by a professional or persons with sound mechanical knowledge.

WARNING: These instructions are a general guide for installation. SuperSprings International (SSI) assumes no liability for the actual installation process. Consumers and installers should apply common automotive safety practices when raising and working on any vehicle. **Do not put yourself in a position where, if the vehicle were to move unexpectedly, you may be injured.** SSI's products are designed to improve vehicle ride quality. Do not load any vehicle beyond the manufacturer's specifications.

Never exceed the manufacturer's Gross Vehicle Rating (GVWR) located on your vehicles identification tag.

BEFORE INSTALLATION: Ensure the vehicle is on a hard level surface, the parking brake is ON, with the ignition OFF, and place chocks in front of and behind the tires to prevent the vehicle from moving.

DURING AND/OR AFTER INSTALLATION: Ensure emergency brake cables are not touching the SSI products. Secure any cables out of the way with zip ties or by re-routing. Ensure all A/C lines, brake cables, and frame are clear of contact or interference.

REV. 2.01 | AUG 2023