

PART NUMBER

SSF-327-47



SCAN HERE: To watch a video of this installation



BEFORE YOU BEGIN

PRIMARY APPLICATIONS

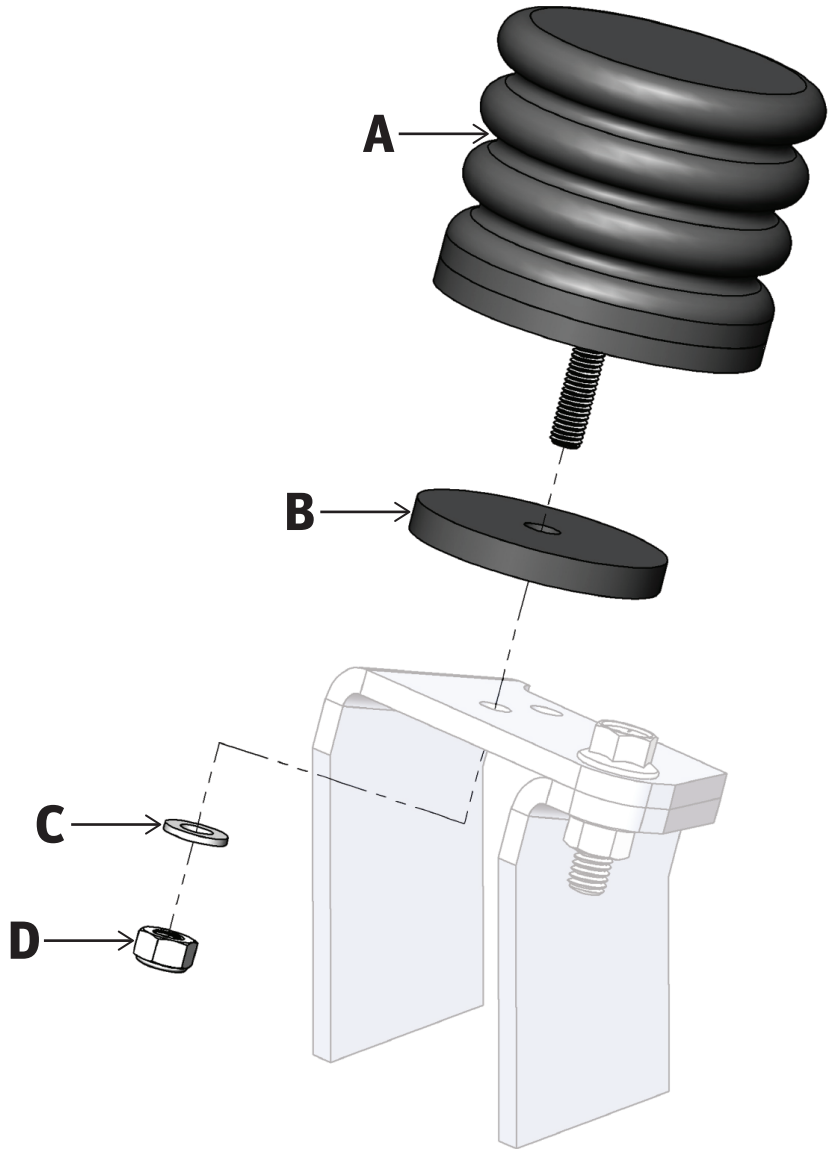
- > Freightliner Sprinter 2500 4 X 4
(2015 - present)
- > Freightliner Sprinter 3500 4 X 4
(2015 - present)
- > Mercedes-Benz Sprinter 2500 4 X 4
(2015 - present)
- > Mercedes-Benz Sprinter 3500 4 X 4
(2015 - present)

PARTS LIST

Item	Part #	Discription	QTY
A	511426	SumoSprings Black -47	2
B	512009	2 ½" Spacer	2
C	512215	M8 Flat Washer	2
D	512214	M8 Hex Nut	2

TOOLS REQUIRED

- > Floor Jack
- > Jack Stands
- > Wheel Chocks
- > 13mm Wrench or Socket



DRIVER SIDE (PASSENGER SIDE SIMILAR)

Part Number: SSF-327-47

Product Line: SUMOSPRINGS FRONT

Page 1

Questions or Concerns?

Scan here:



or visit:
superspringsinternational.com

SAFETY NOTICE: We recommend installation be done by a professional or persons with sound mechanical knowledge.

WARNING: These instructions are a general guide for installation. SuperSprings International (SSI) assumes no liability for the actual installation process. Consumers and installers should apply common automotive safety practices when raising and working on any vehicle. **Do not put yourself in a position where, if the vehicle were to move unexpectedly, you may be injured.** SSI's products are designed to improve vehicle ride quality. Do not load any vehicle beyond the manufacturer's specifications.

Never exceed the manufacturer's Gross Vehicle Rating (GVWR) located on your vehicles identification tag.

BEFORE INSTALLATION: Ensure the vehicle is on a hard level surface, the parking brake is ON, with the ignition OFF, and place chocks in front of and behind the tires to prevent the vehicle from moving.

DURING AND/OR AFTER INSTALLATION: Ensure emergency brake cables are not touching the SSI products. Secure any cables out of the way with zip ties or by re-routing. Ensure all A/C lines, brake cables, and frame are clear of contact or interference.

REV. 3.01 | AUG 2023

PART NUMBER

SSF-327-47



INSTALLATION

1. Park the vehicle on a hard, level surface and engage the emergency brake. Place wheel chocks in front and behind rear wheels to prevent rolling. Observe all safety precautions and wear safety glasses.
2. Raise the front of the vehicle allowing the suspension to unload approximately 50% and rest the frame on the safety jack stands rated for the weight of the vehicle. Turning the wheels left or right will aid in providing more room for installation.
3. Starting on the driver side, remove the factory bump stop from its mounting bracket.
4. Place the Spacer [ITEM B] on the stud of the SumoSpring [ITEM A].
5. Apply the Blue Thread Locker to the stud of the SumoSpring and install onto the factory mounting bracket. Ensure the stud is inserted into the same hole that the factory bump stop stud was located in (upper hole).
6. Place the Flat Washer [ITEM C] over the stud and thread on the M8 Hex Nut [ITEM D] and torque to 20 ft. lbs. Do not over tighten the nut.
7. Repeat steps 3 through 6 on the passenger side of the vehicle.
8. Raise the vehicle, remove safety jack stands, and carefully lower vehicle to the hard surface. Remove the wheel chocks in front and back of the rear wheels.
9. Register the warranty for your SuperSprings International part. A warranty card can be found in the box your part came in.

Part Number: SSF-327-47

Product Line: SUMOSPRINGS FRONT

Page 2

Questions or Concerns?

Scan here:



or visit:
superspringsinternational.com

SAFETY NOTICE: We recommend installation be done by a professional or persons with sound mechanical knowledge.

WARNING: These instructions are a general guide for installation. SuperSprings International (SSI) assumes no liability for the actual installation process. Consumers and installers should apply common automotive safety practices when raising and working on any vehicle. **Do not put yourself in a position where, if the vehicle were to move unexpectedly, you may be injured.** SSI's products are designed to improve vehicle ride quality. Do not load any vehicle beyond the manufacturer's specifications.

Never exceed the manufacturer's Gross Vehicle Rating (GVWR) located on your vehicles identification tag.

BEFORE INSTALLATION: Ensure the vehicle is on a hard level surface, the parking brake is ON, with the ignition OFF, and place chocks in front of and behind the tires to prevent the vehicle from moving.

DURING AND/OR AFTER INSTALLATION: Ensure emergency brake cables are not touching the SSI products. Secure any cables out of the way with zip ties or by re-routing. Ensure all A/C lines, brake cables, and frame are clear of contact or interference.

REV. 3.01 | AUG 2023